

High Efficiency Off-Line PSR CC/CV Control

FEATURES

- Constant-Current (CC) and Constant-Voltage (CV) with Primary Side Control
- Proprietary technology enabling high efficiency and fast dynamic response
- Satisfy DoE VI & CoC Tier2 requirements
- No audible noise over entire operating range
- Optimization for capacitive loading
- Built-in power NPN
- Built-in Cable Compensation
- Built-in Line Compensation
- Primary-side feedback eliminates opto-coupler and TL431
- Cycle-by-Cycle Current Limiting
- Over Temperature Protection
- VCC Over Voltage Protection
- CV Open-loop Protection
- Excellent capacitive loading start-up performance
- Excellent capacitive loading start-up performance
- FT8370x Awakening Signal Detection

TYPICAL APPLICATION

- Adapter/Charger for Cell/Cordless Phones, PDAs, MP3 and Other Portable Apparatus
- Standby and Auxiliary Power Supplies Set Top Boxes (STB)
- Adapter for ADSL / WiFi Wireless

DESCRIPTION

The FT8393NDx is a Flyback controller targeting at high-performance Constant Current/Constant Voltage applications. The FT8393NDx facilitates CC/CV charger design by eliminating an opto-coupler and TL431. FT8393NDx operates in quasi-resonant mode and adaptive PFM control for highest average efficiency for AC/DC power applications.

Power supplies built with FT8393NDx can achieve both highest average efficiency, fast dynamic load response and super low standby power. FT8393NDx satisfy DoE VI and CoC Tier2 requirements with production margin for 5V/2A and 5V/2.4A applications, respectively.

Furthermore, FT8393NDx features fruitful protections like Open Circuit Protection and Over Temperature Protection to eliminate the external protection circuits and provide reliable operations.

When FT8393NDx is used with FT8370x, good under-shoot performance and higher conversion efficiency can be achieved

TYPICAL APPLICATION CIRCUIT AND PIN ASSIGNMENT

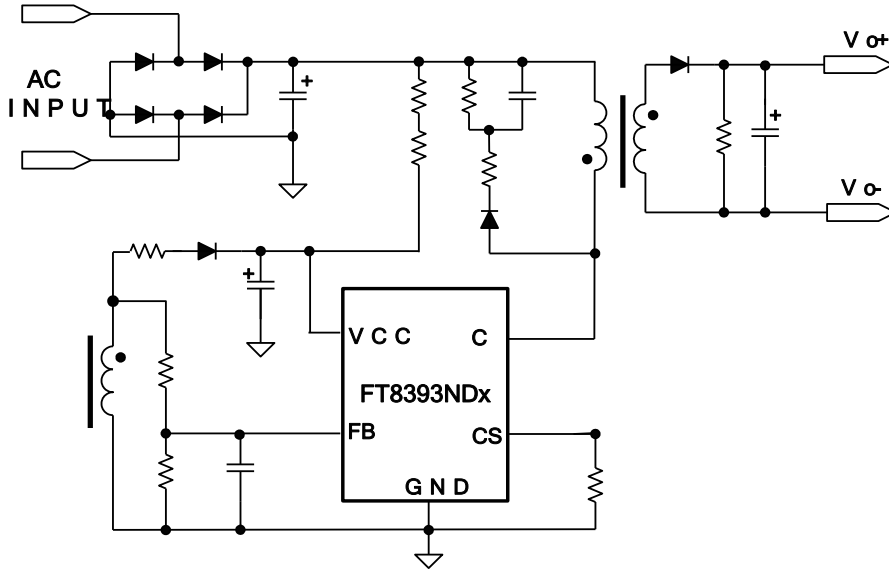
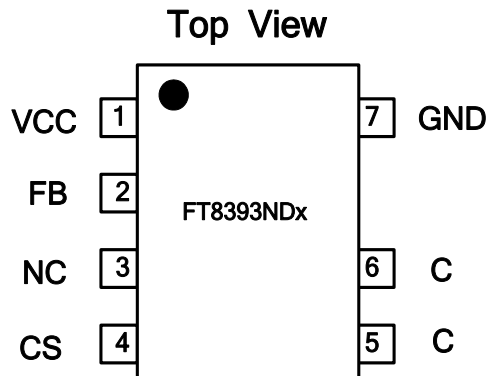


Figure 1: FT8393NDx Typical Application Circuit(Internal NPN)



Pin	Name	Description
1	VCC	Supply voltage
2	FB	Output voltage feedback pin
3	NC	No connection
4	CS	Primary current sense
5	C	C: the Collector of the power NPN for FT8393NDx. This pin is connected to the primary lead of the transformer
6		
7	GND	Ground

Table 1